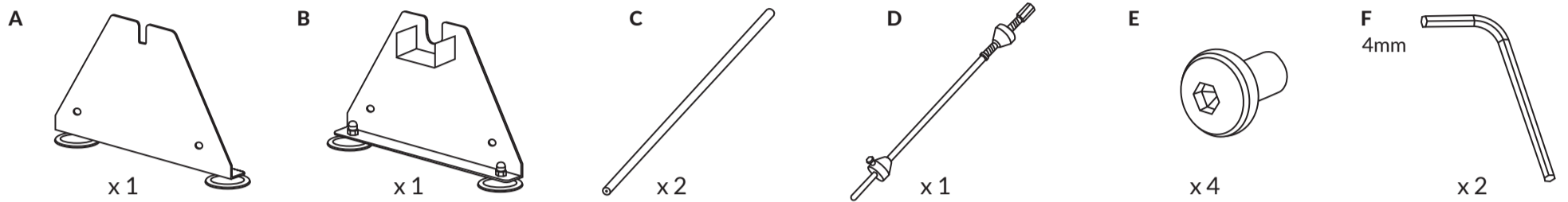
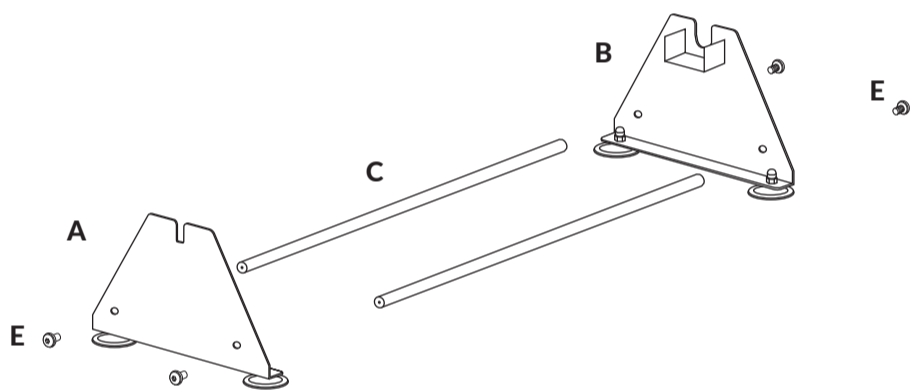


Honeycomb Paper Dispenser Assembly Instructions

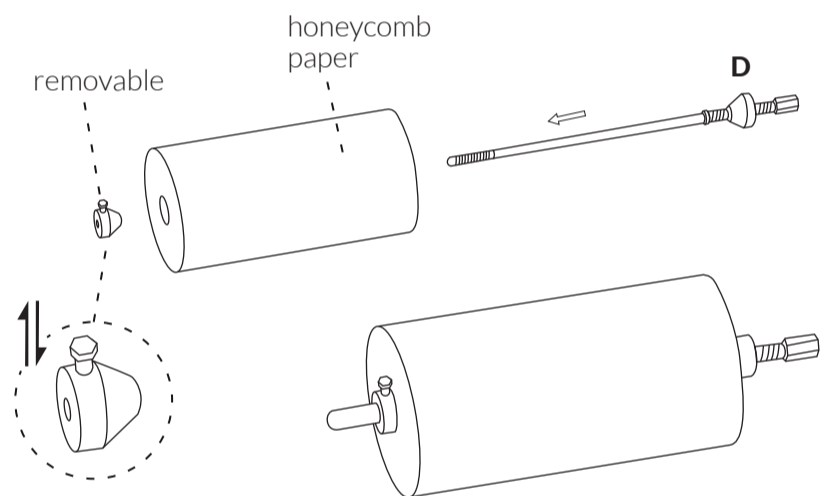


1



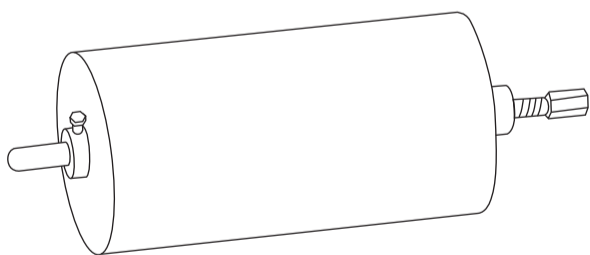
As shown in the figure, align the round holes and threaded holes on A, B and C, then tighten the screws.

2



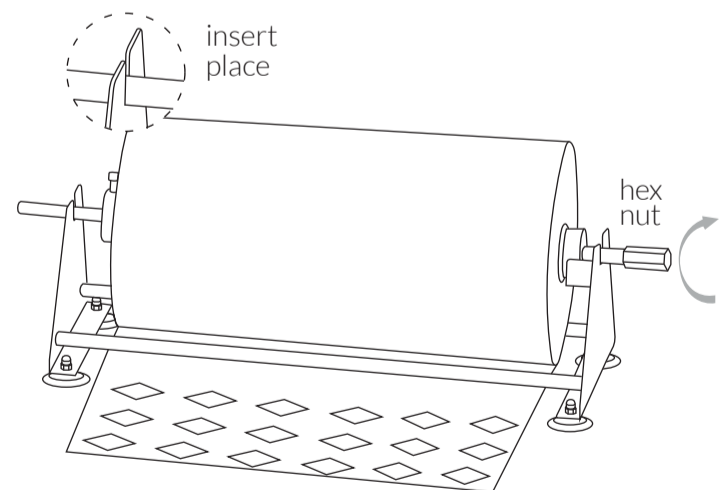
As shown in figure, slide removable piece off of the bar, thread bar through the honeycomb paper and return removable piece.

3



Ensure honeycomb paper is securely book ended by rubber pieces on the bar.

4



As shown in the figure, place fixed honeycomb paper on A and B, and rotate the hexagonal nut to adjust the resistance.