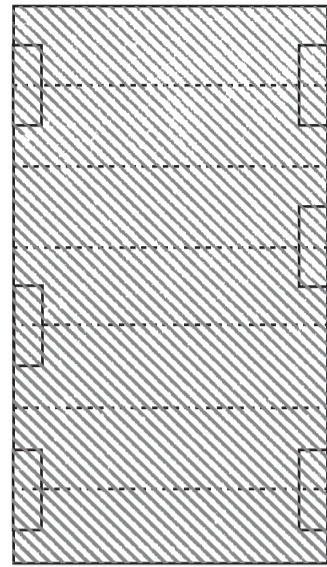
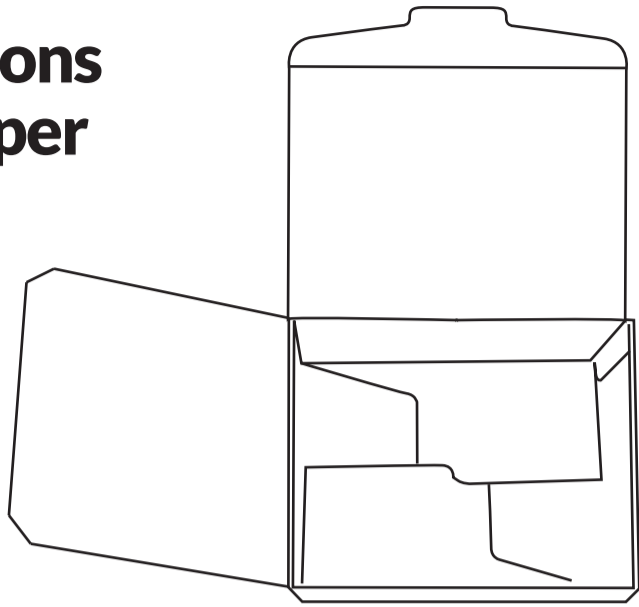
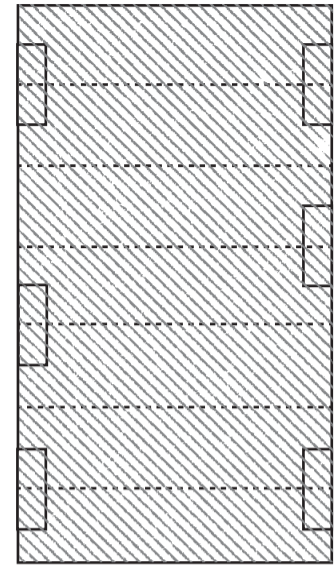


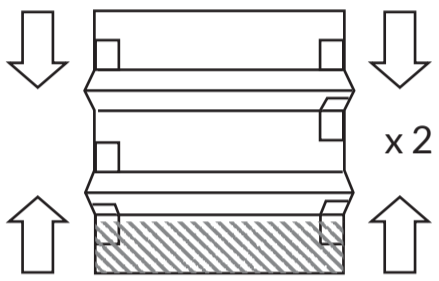
Divider Instructions for Hamper Boxes



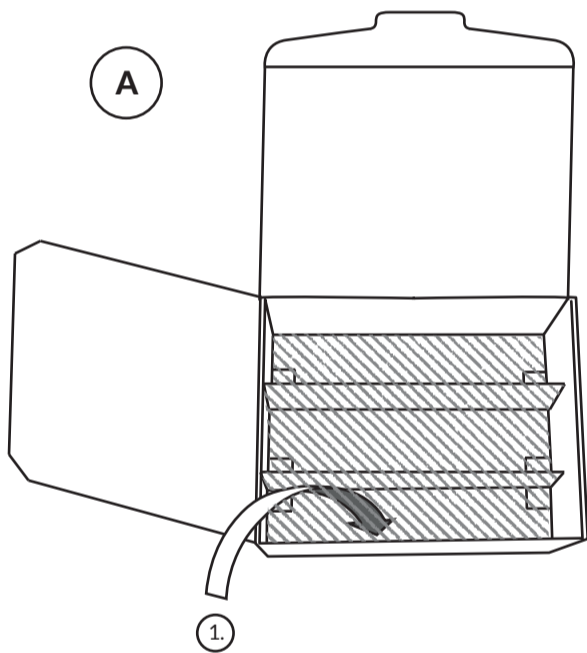
1



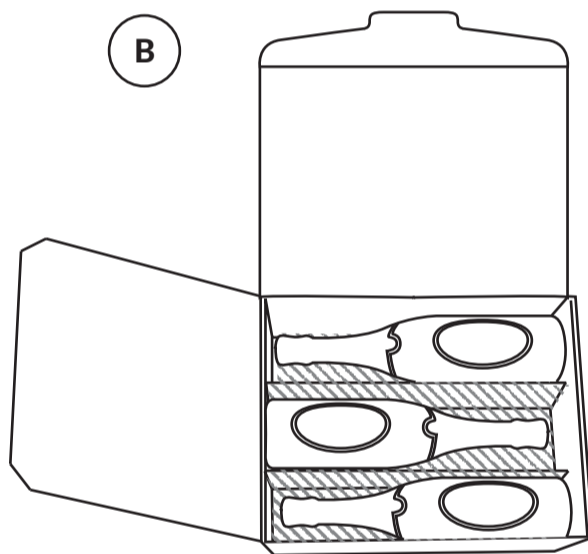
2



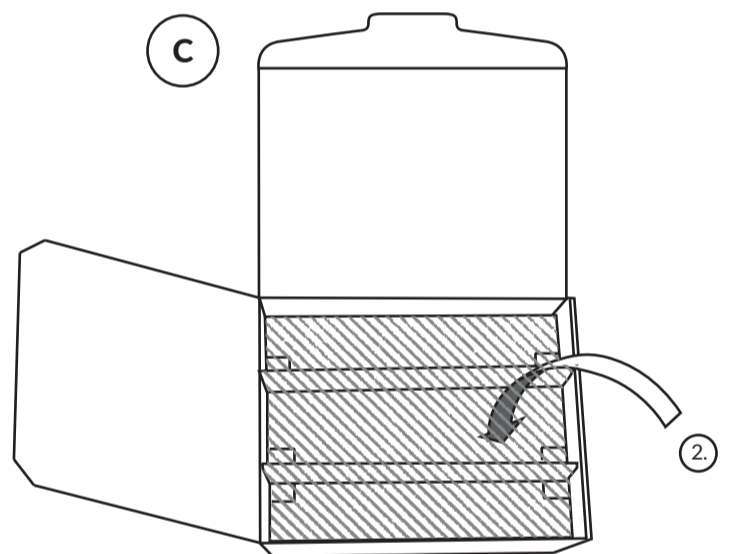
A



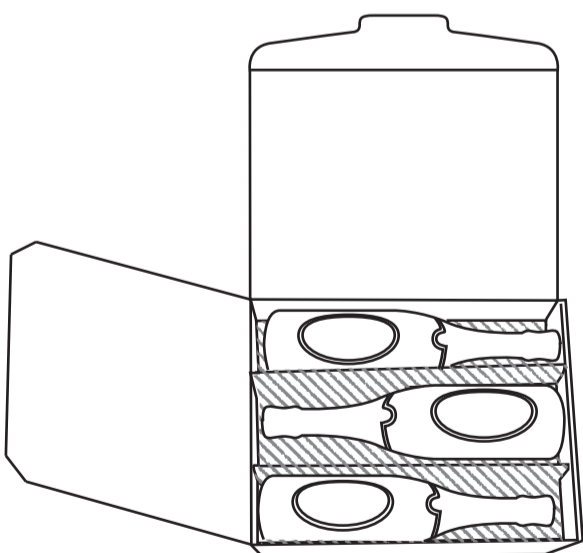
B



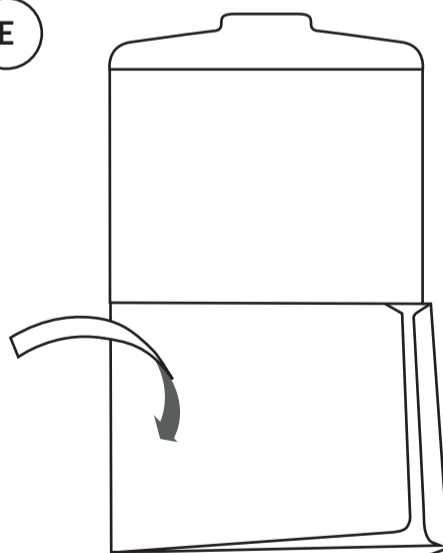
C



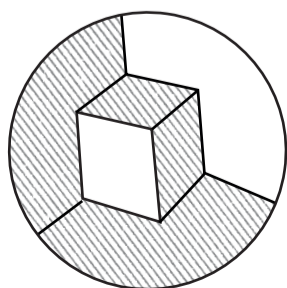
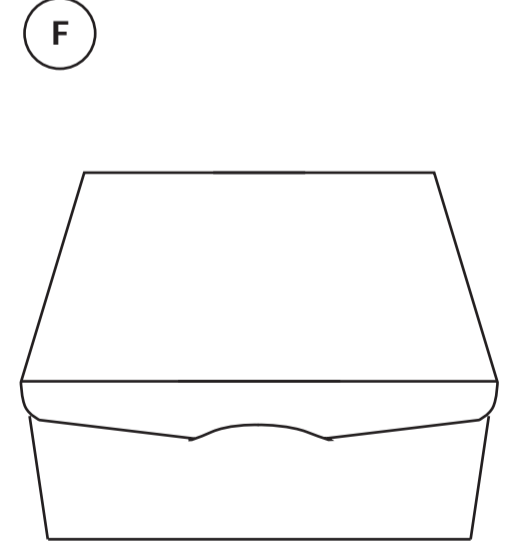
E



E



F



Top Tip

Invert card for added support
for base of smaller bottles