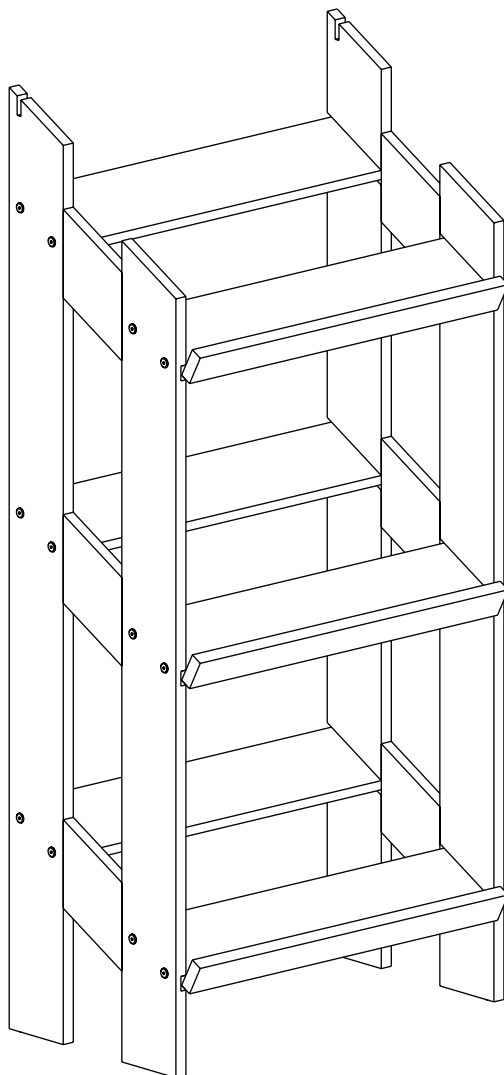


NORWOOD COLLECTION

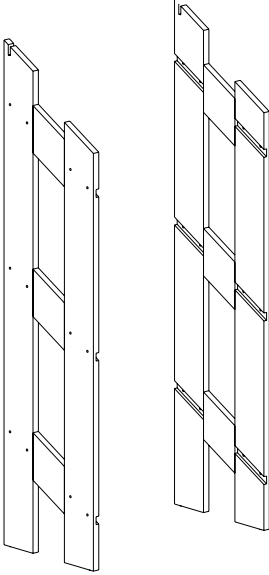
Wooden 3 Tier Stand 650mm - ref:RN61
Assembly Instructions

Estimated Assembly Time: 15 minutes

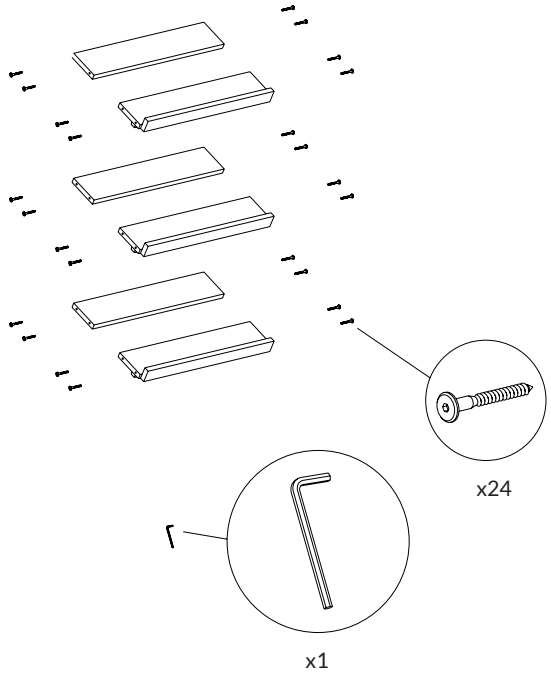


Components

cRNL61 x 2

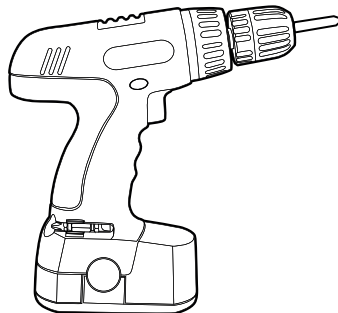


cRNS61 x 6

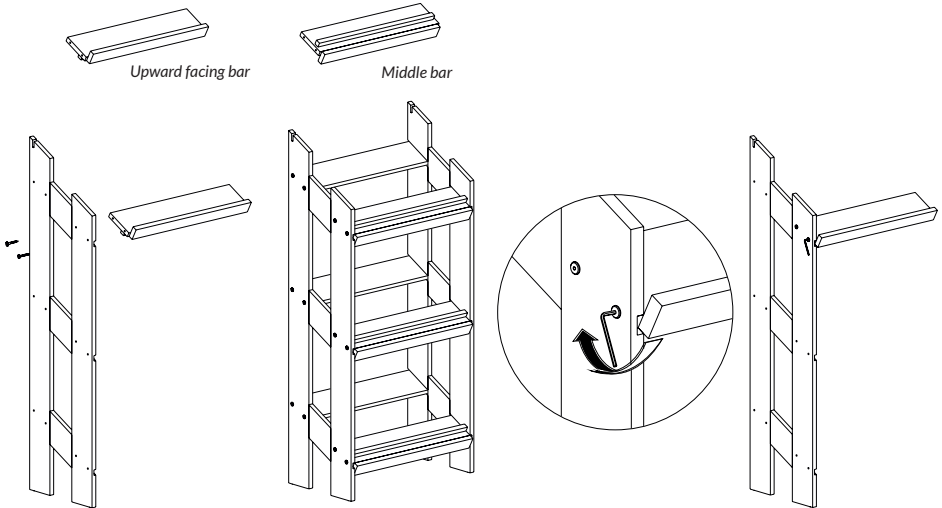


Recommended

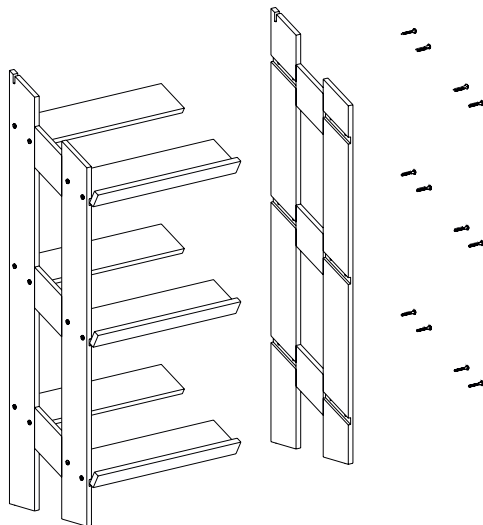
Whilst a hex bolt key is provided it is far easier to assemble using an electric drill or screwdriver with a 4mm hex fitting.



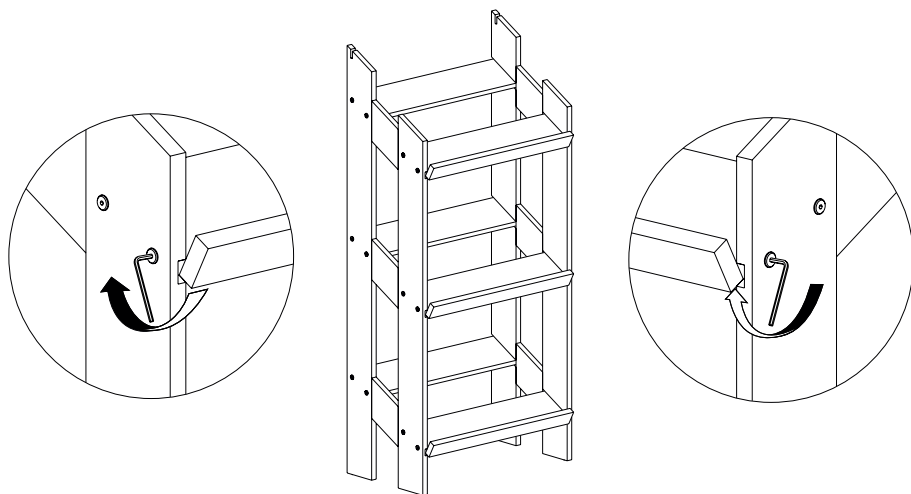
- 1.** Attach the 6 shelves to one of the tall uprights using the screws provided. Do not fully tighten. There are 3 reversible front shelves with a front bar on one side and a middle bar on the reverse. The front bar should be facing upwards for kits RN61G, RN61J, RN61M and RN61W. For kit RN6WI the middle bar side should be facing upwards



- 2.** Now attach the second tall upright. Again, do not fully tighten the screws.



- 3.** Move the assembled frame into position in your store and then tighten all the screws. This will allow the unit to sit more squarely on slightly uneven floors.



- 4.** If the optional chalkboard was purchased, please simply slide the board into the two slots located at the back.

