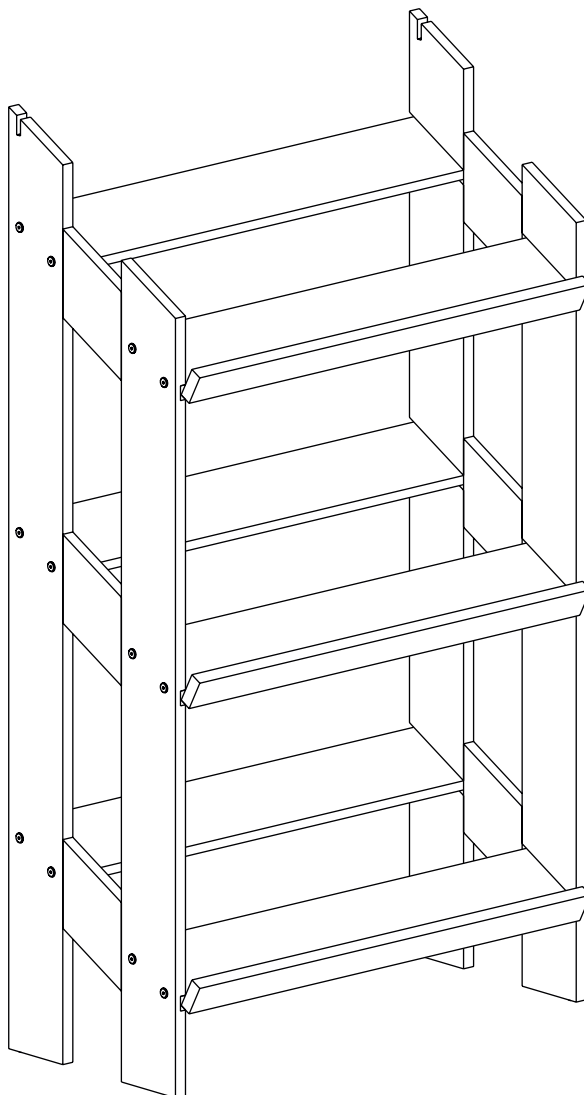


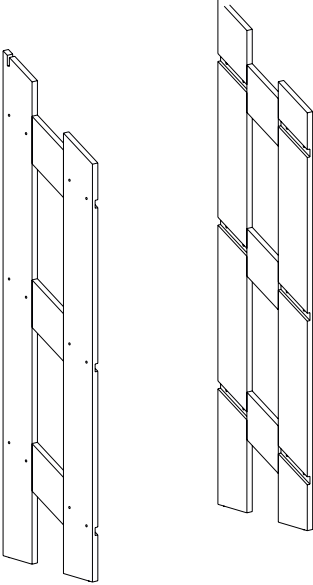
NORWOOD COLLECTION

Wooden 3 Tier Stand 820mm - ref: RN78
Assembly Instructions

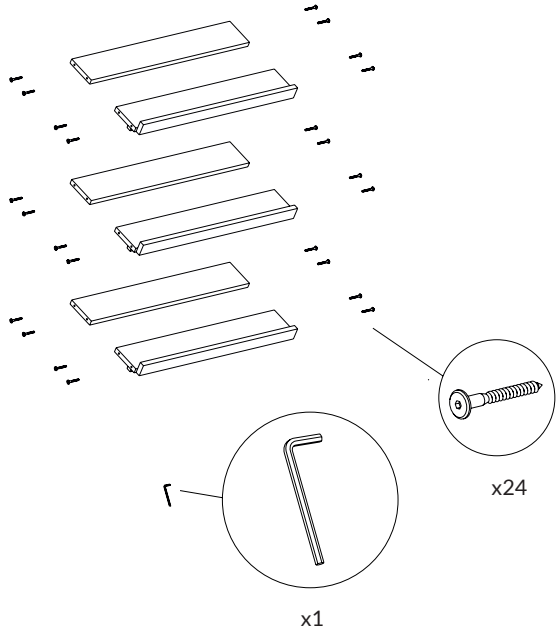


Components

cRNL78 x 2

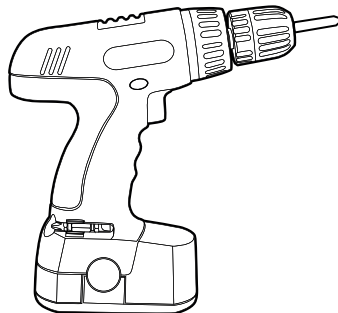


cRNS78 x 6



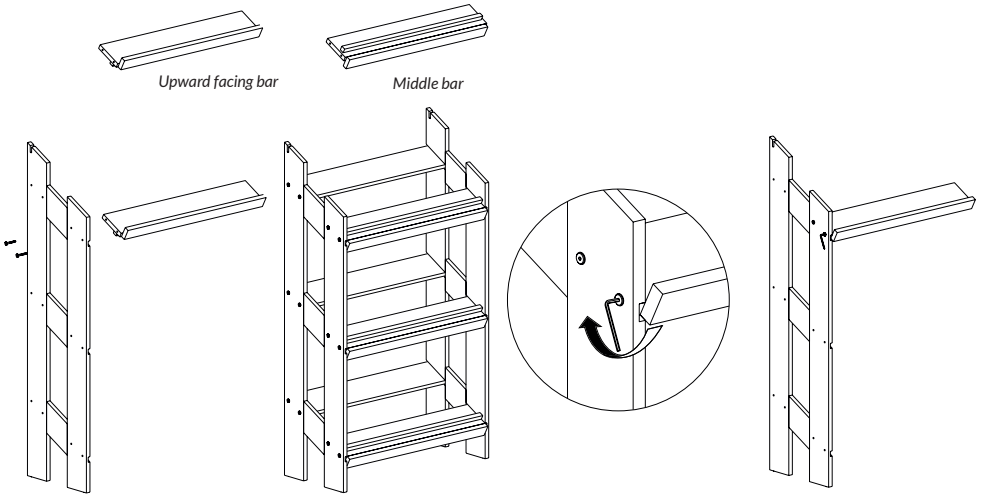
Recommended

Whilst a hex bolt key is provided it is far easier to assemble using an electric drill or screwdriver with a 4mm hex fitting.



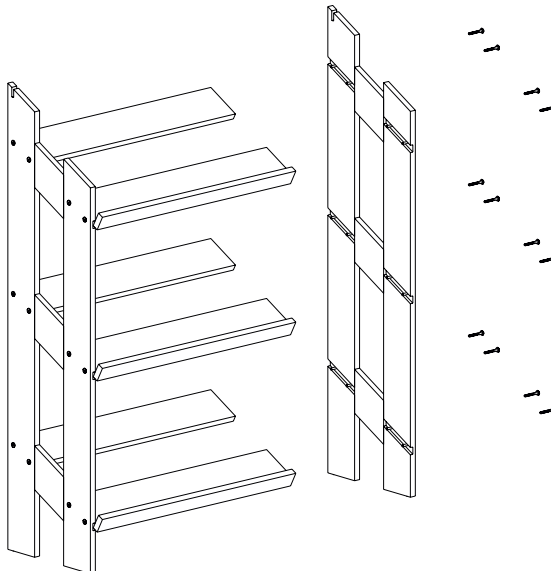
1.

Attach the 6 shelves to one of the tall uprights using the screws provided. Do not fully tighten. There are 3 reversible front shelves with a front bar on one side and a middle bar on the reverse. The front bar should be facing upwards for wider trays in kits RN78C, RN78M and RN78T. For narrower trays the middle bar should be facing upwards for RN78G and RN78W kits.



2.

Now attach the second tall upright. Again, do not fully tighten the screws.



3.

Move the assembled frame into position in your store and then tighten all the screws. This will allow the unit to sit more squarely on slightly uneven floors.

