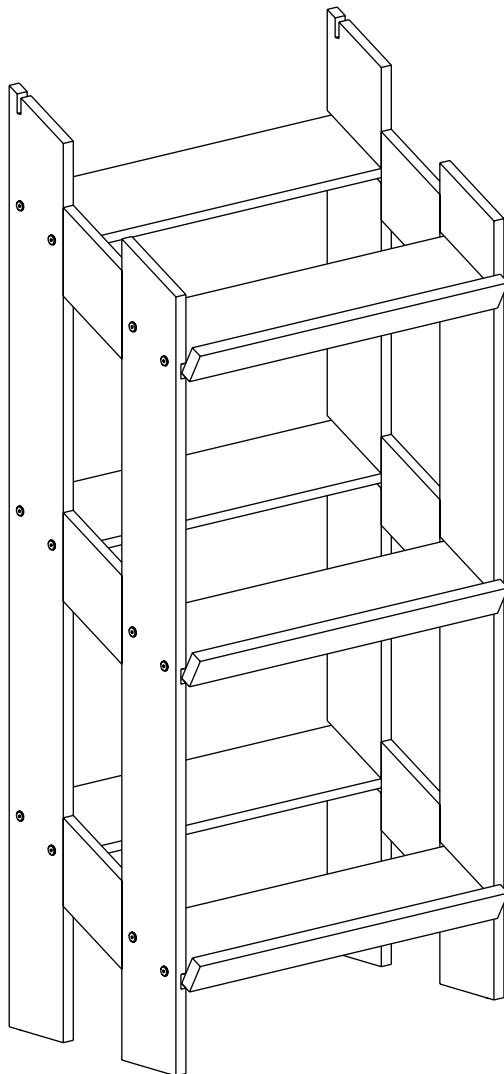


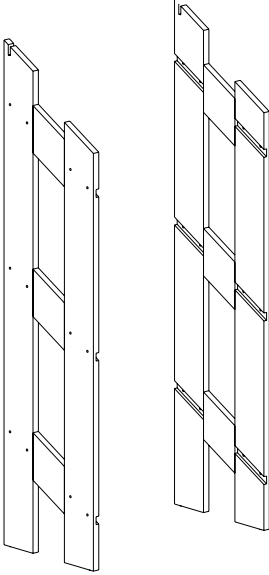
# NORWOOD COLLECTION

Wooden 3 Tier Stand 650mm - ref:RN61  
Assembly Instructions

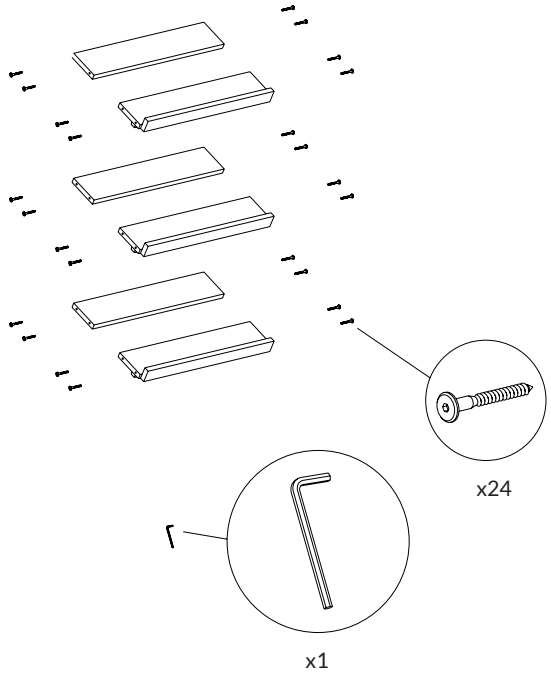


# Components

cRNL61 x 2

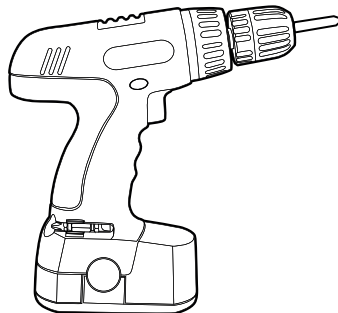


cRNS61 x 6



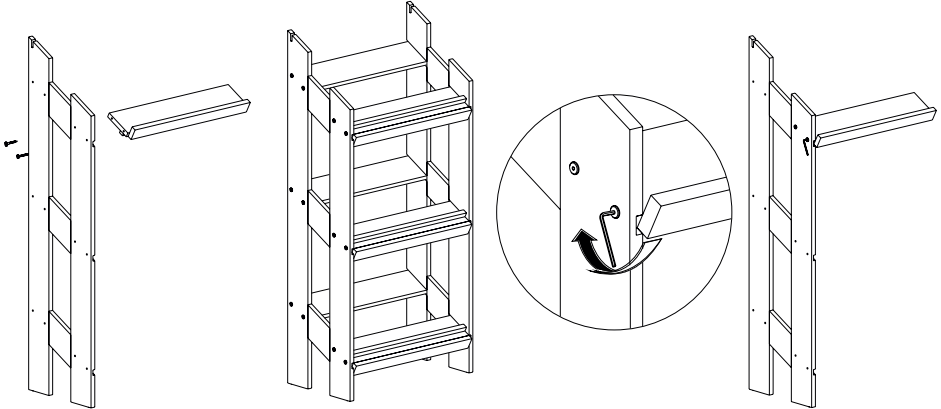
## Recommended

Whilst a hex bolt key is provided it is far easier to assemble using an electric drill or screwdriver with a 4mm hex fitting.



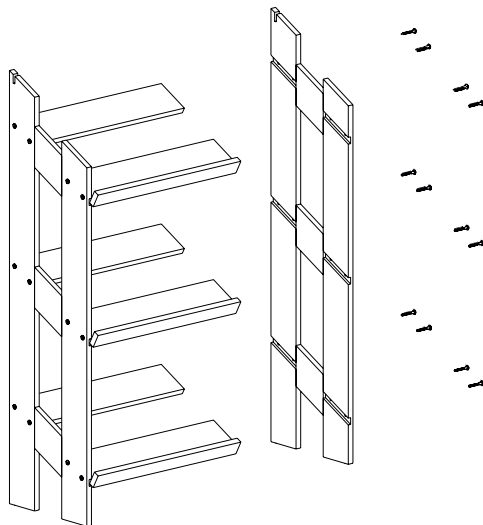
# 1.

Attach the 6 shelves to one of the tall uprights using the screws provided. Do not fully tighten. There are 3 reversible front shelves with a front bar on one side and a middle bar on the reverse. The front bar should be facing upwards for kits RN61G, RN61J, RN61M and RN61W. For kit RN61WI the middle bar side should be facing upwards



# 2.

Now attach the second tall upright. Again, do not fully tighten the screws.



**3.**

Move the assembled frame into position in your store and then tighten all the screws. This will allow the unit to sit more squarely on slightly uneven floors.

